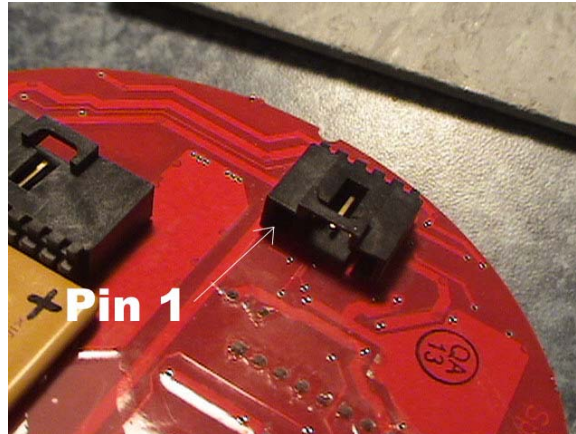
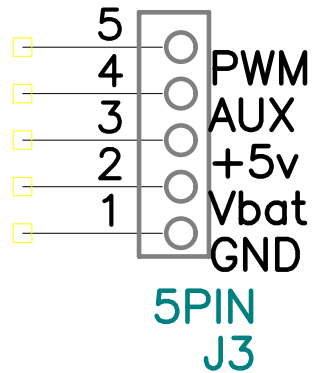


Draganflyer Auxiliary connector pin outs

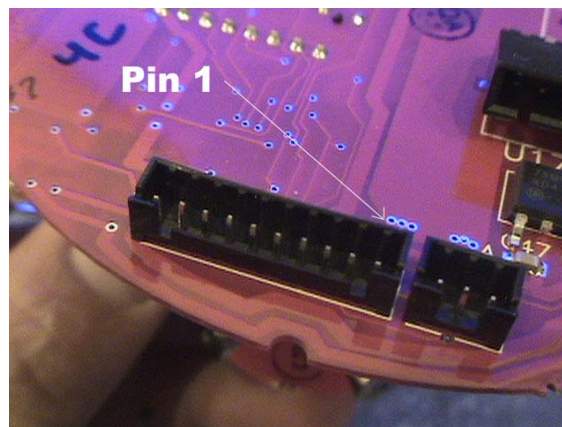
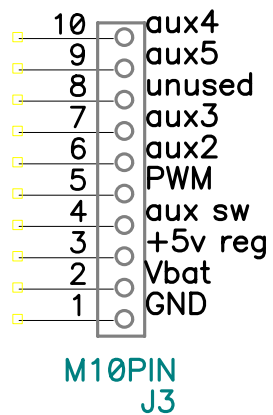
Draganfly II,III,IV larger 5 pin connector

Auxiliary connector

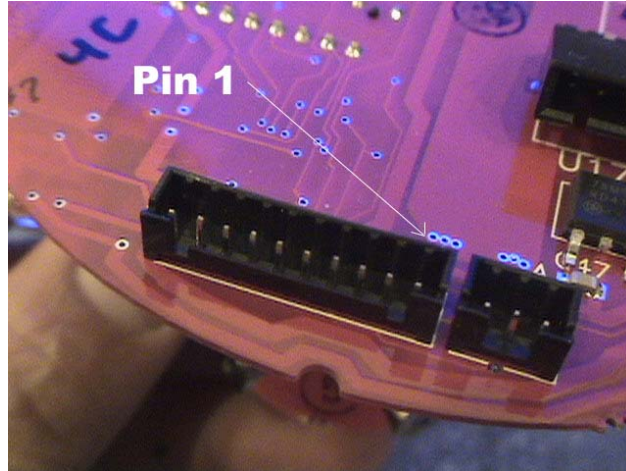
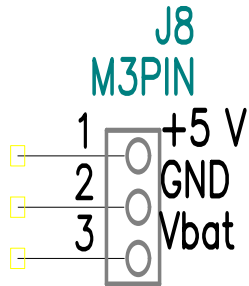


Draganfly V self leveling, two separate micro connectors

Auxiliary connector



Camera power connector



Pin name	Description
GND	Ground, negative battery terminal
Vbat	Unregulated battery voltage, switched
+5Volts	Regulated 5 volt power, max 150mA on Draganflyers with 5 pin connector, 250mA max
PWM	Pulse width modulated signal directly from receiver
AUX	Open collector switched output, channel 5
AUX sw	Same as above
AUX2	servo pulse output for channel 5 (landing gear switch)
AUX3	servo pulse output for channel 6 (flap lever)
AUX4	servo pulse output for channel 7
AUX5	servo pulse output for channel 8

Note: channels 5-8 are only valid if you are using an 8 channel transmitter

Revision 1.1

Copyright Spectrolutions Inc 2005

You may make copies for personal use, but may not distribute or sell in any way.